



TSM-10 (White) TSM-20 (Black)

Programmable thermostat Grand Meyer TSM-10/TSM-20 with remote control function via Wi-Fi network for electrical heating.

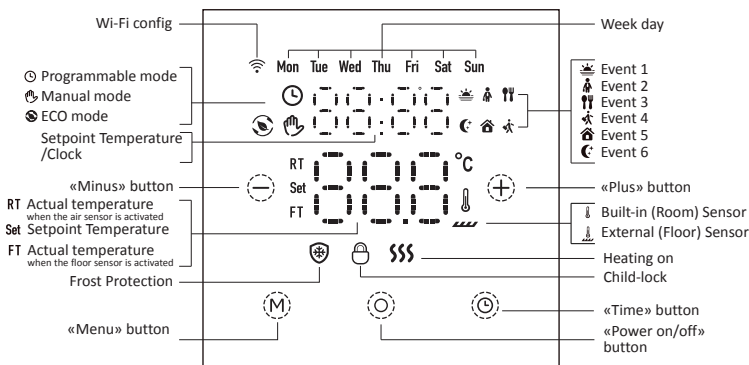


- Fashion tempered glass design, high permeability, with a luxury style.
- Set temperature can be specified precisely and intuitive (by 0,5°C).
- Diverse programming options that fit any lifestyle - up to 6 heating events with individual temperature settings.

TECHNICAL DATA

- Supply voltage 230V AC(±10%), 50 Hz
- Output relay SPST 20A
- Power consumption 1W max (Wi-Fi 1,5W max)
- Ambient temperature from -5°C to + 50°C
- Temperature setting range from +5° to +95°C
- External sensor upper limit from +5° to +60°C (*It only works when choosing All on 2 SEN in advanced setting)
- Hysteresis (adjustable) from 0,5°C to 10°C
- External sensor resistance 10 kOhm at +25°C
- Protection level IP20
- Shell material Anti-Flammable PC

BUTTONS AND SYMBOLS



USER OPERATION

Manual mode

The thermostat will turn on or off the electric heating to maintain the set temperature, regardless of the currently running program.

Programmable Mode

The thermostat will turn on or off the electric heating depending on the set time and temperature according to a program in which up to 6 heating events can be set for each day of the week. This program will be repeated every week.

ECO mode

Press «○» shortly to enter ECO mode, and the temperature will be set to +18°C.

SETTING THE THERMOSTAT

Power on/off

Press «○» shortly, the thermostat will be turn on/off.

Time setting

Press and hold «⊙» for 3 seconds to enter time setting, and adjust it as follow:

Choose modified item by pressing «⊙», and set the week day and clock by pressing «+» or «-». Finally, confirm by pressing «○» shortly.

Temperature setting

Press «+» or «-» to increase or decrease setpoint temperature by 0.5°C.

Child-lock

Press and hold the «+» and «-» buttons simultaneously for 3 seconds to activate the «Child Lock» option - the «⊖» icon will appear on the screen; when you press these buttons again, the «⊖» icon will disappear - the option is deactivated.

Weekly programming setting

For weekdays and weekend up to 6 heating events with individual temperature settings can be saved with the thermostat. Press and hold «M» for 3 seconds to enter weekly programming setting (Table 1), adjust it as follow:

Choose modified item by pressing «M», and set the week day, clock and temperature by pressing «+» or «-». Finally, confirm by pressing «○» shortly.

Table 1.

Events	Symbols	Time		Temperature	
		Default value	↑ ↓	Default value	↑ ↓
Weekdays	1	☀	06:00	Press «+» or «-»	20°C
	2	👤	08:00		15°C
	3	🍴	11:30		15°C
	4	👤	12:30		15°C
	5	🏠	17:00		22°C
	6	🌙	22:00		15°C
Week-ends	1	☀	08:00	Press «+» or «-»	20°C
	2	🌙	22:00		15°C

ADVANCED SETTING

(Usually for Professional Technicians)

During power-off, press and hold «M» for 3 seconds to enter advanced setting mode, then re-press «M» to switch to next setting item. Finally, confirm by pressing «○» shortly.

Table 2.

Code	Mode	Set value (press «+» or «-»)
1RdJ	Temperature calibration	From -9,9°C to +9,9°C (factory setting 0°C)
25Eñ	Active temperature sensor	.ñ: only internal build-in sensor ññ: only external sensor ñL: both sensors (factory setting: .ñ)
3Lr	External sensor upper limit (mode «ñL»)	From +5°C to +60°C (factory setting: +35°C)
4d,F	Temperature hysteresis	From 0,5°C to 10°C (factory setting: 10°C)
5LrP	Frost protection	ññ : ON ñF : OFF (factory setting: ñF)
6PrL	Weekly programming setting	12345: 5 working/2 weekend days 123456: 6 working/1 weekend days 1234567: 7 working days
8dLy	Delay time of passive linkage control	From 0 to 5 minutes (factory setting: 0 min.)
9M,r	Temperature upper limit	From +5°C to +95°C (factory setting: +50°C)
ñFñL	Restore factory settings	Press and hold for 3 seconds «M» to reset settings to defaults



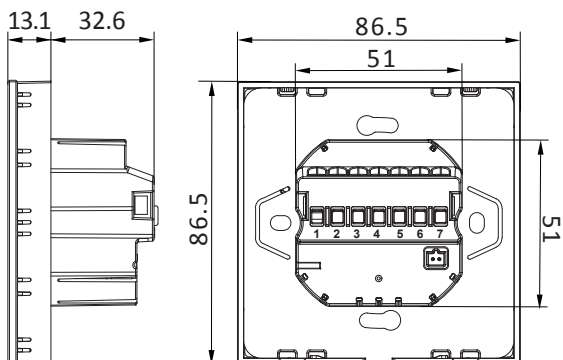
TEMPERATURE SENSOR ERROR

Please select the correct type of active temperature sensor operation. When the display shows the error Er0/Er1, the controller won't operate until the error is eliminated.

Er 0: Sensor short circuit / internal build-in sensor disconnected.

Er 1: Sensor short circuit / external sensor disconnected.

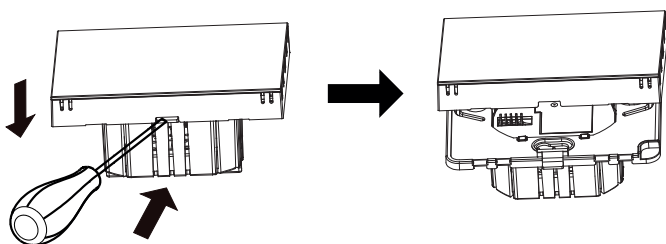
DIMENSIONS (mm)



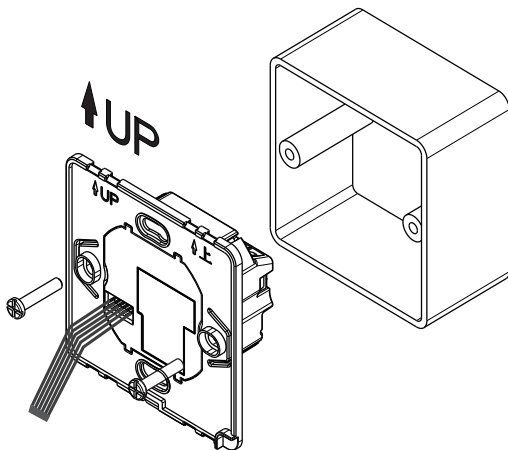
INSTALLATION

The thermostat adopt pre-guide and limited snap-fit design. It is easy to mount.

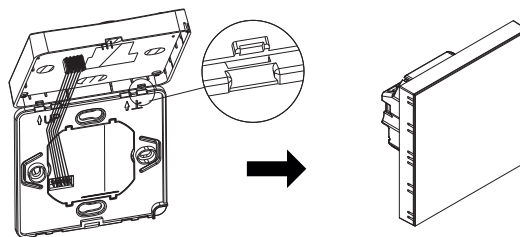
1. Release front cover by inserting a head screw-driver into bottom crack.



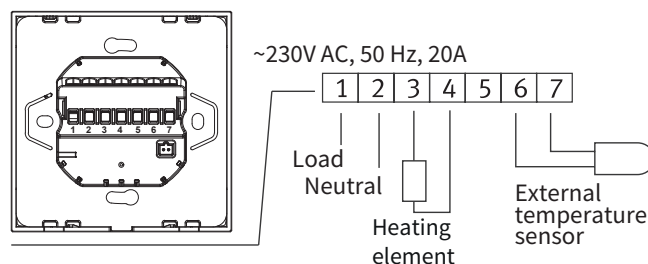
2. Connect wires to terminal block per the wiring schematic according to wiring diagram. Suggested copper wire length is 7-9 mm.
3. Attach the thermostat base to wall-cassette by two mounting screws. After attaching it, make sure there is no deformation on the thermostat.



4. Re-mount the front cover via snap-fit connection.



WIRING DIAGRAM



CONNECTING TO A WI-FI NETWORK

To set up the Wi-Fi mode turn off the thermostat and press and hold for 3 seconds button «⊙». For remote access to the



thermostat via Wi-Fi, download a mobile application adapted for our thermostat. The app «Smart Life» is available on Google Play for Android and the App Store for iOS.

SAFETY MEASURES

1. The thermostat must be connected by a qualified, certified electrician.
2. All work on installation and connection of the thermostat must be carried out without the power supply connection.
3. Use only the plastic back box to mount the thermostat.
4. Cleaning the thermostat:
 - The power supply must be disconnected when wipe off dust and dirt with a soft cloth or paper towel.
 - Do not use any cleaning agents or harsh chemical solvents.

WARRANTY OBLIGATIONS

The warranty period is 24 months from the date of sale.

During the warranty period, the buyer has the right to repair or replace the product if any faults are discovered that have occurred through the fault of the manufacturer and provided that the instructions for installation and operation are followed. Warranty obligations do not apply to thermostats that have mechanical damage, as well as if the defect has arisen as a result of improper installation, connection and operation of this device.

RECYCLING OF OBSOLETE APPLIANCES



Appliances with this label must not be disposed off with the general waste. They must be collected separately and disposed off according to local regulations.