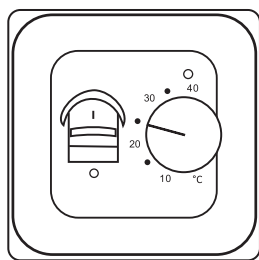




## Electronic thermostat Grand Meyer MST-1 (MST-1i) / MST-10



### INSTALLATION MANUAL



Scan for other manual languages.

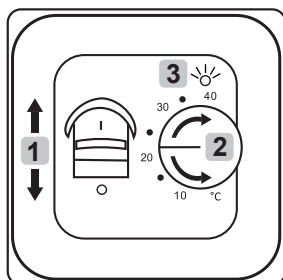
MST-1 (MST-1i) / MST-10 is an electronic manual thermostat for installation in standard wall mounting box. Thermostat can be set within the desired temperature range from +5°...+40°C. Thermostat is equipped with external NTC temperature sensor and suitable for controlling underfloor heating in residential and office premises.

#### TECHNICAL DATA

Voltage supply	230V AC ±10% 50Hz
Consumption	5W
Load	16A
Operating temperature	From -5° to +50°C
Temperature setting range	+5°/+40°C
Relay type	SPST
Hysteresis	0.5°C
IP class	IP20
Shell material	Anti-Flammable PC
Floor sensor	NTC 10kOhm at +25°C, cable length is 3m

#### OPERATION

- 1 ON/OFF**  
i - On, o - Off
- 2 Desired temperature:**  
+5°/+40°C
- 3 LED indicator.**  
LED is on when heating is on.



#### THERMOSTAT OPERATION

To turn on thermostat, set toggle switch to I - ON. To turn off thermostat, set toggle switch to O - OFF. Thermostat has a temperature range of +5°/+40°C. Turn the control knob on a desired temperature. When the heating is on, the thermostat LED will light up red. When desired temperature is reached, heating will turn off and LED will switch off.

#### EXTERNAL TEMPERATURE SENSOR INSTALLATION

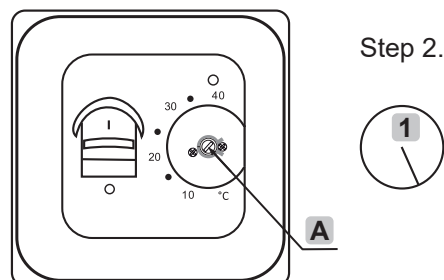
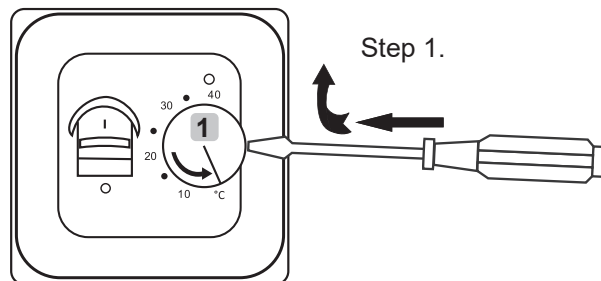
The external temperature sensor must be placed in an installation corrugated tube. If temperature sensor is used for floor heating, corrugated tube must be closed from one side (floor side) to prevent screed leakage into the corrugated tube. It's recommended to place corrugated tube close to the heating element. The sensor cable can be extended up to 50 m with a suitable cable (e.g. 2 x 1mm<sup>2</sup>).

#### NTC SENSOR RESISTANCE

Temperature (°C)	Resistance (Ω), Ohm
5	22070
10	17960
20	12091
30	8312
40	5827

#### TEMPERATURE ADJUSTMENT

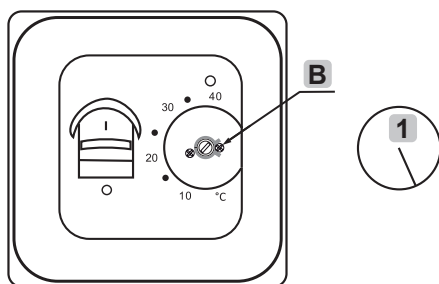
After the room temperature has stabilized, the thermostat setting can be adjusted to the actual room temperature. Measure the room temperature with a thermometer. Remove the control knob 1 (step 1) and rotate the pole (A), then change the position of the knob control so that the indicated temperature line shows the same temperature as the one measured by the thermometer (step 2). After temperature is adjusted, do not rotate the pole when installing the thermostat.



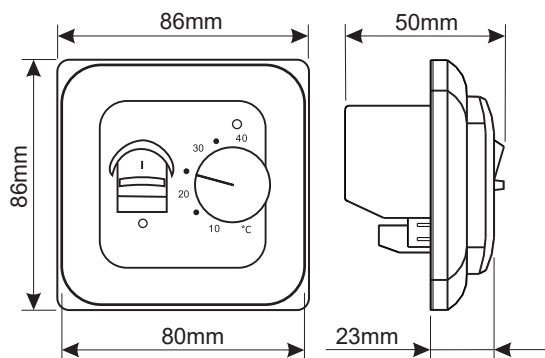


### TEMPERATURE LIMITATION MIN. / MAX.

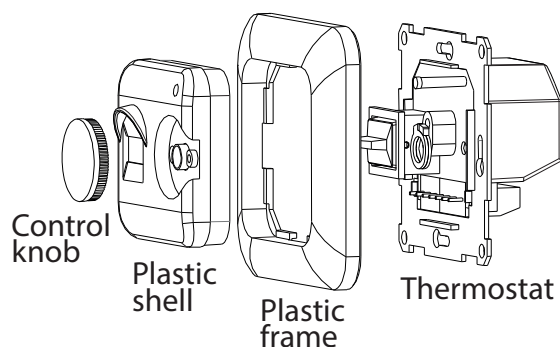
The locking mechanism is located behind the control knob. When setting the limiters, it is possible to set the maximum and minimum temperature limits on the knob. Screw B is used to lock the scale range (e.g. from +20°C to +25°C). The red circle indicates the maximum temperature, and the green circle indicates the minimum temperature.



### DIMENSIONS (mm)



### THERMOSTAT PARTS

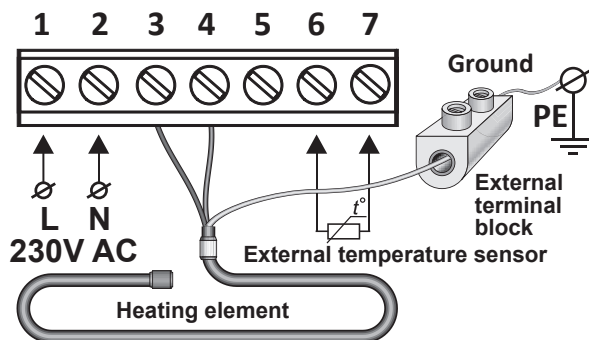


### RECYCLING OF OBSOLETE APPLIANCES



Appliances with this label must not be disposed off with the general waste. They must be collected separately and disposed off according to local regulations.

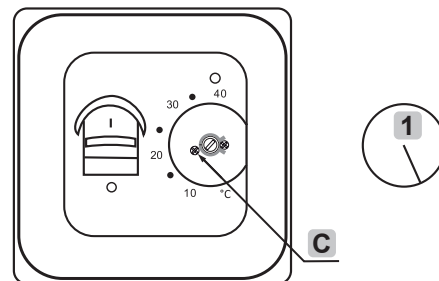
### WIRING DIAGRAM



### SAFETY MEASURES

- Temperature controller must be connected by a qualified, certified electrician.
- All work on installation and connection of the temperature controller must be carried out without the power supply connection.
- Use only the plastic mounting box to mount the temperature controller.
- Cleaning the temperature controller:
  - The power supply must be disconnected when wipe off dust and dirt with a soft cloth or paper towel.
  - Do not use any cleaning agents or harsh chemical solvents.

### THERMOSTAT INSTALLATION



1. Remove the control knob (1).
2. Unscrew the screw (C) and remove the thermostat shell.
3. Connect the wires according to the wiring diagram.
4. Install the thermostat in the mounting box (only plastic mounting box is allowed).
5. Secure the thermostat shell with the screw (C) and install the control knob (1).

### WARRANTY OBLIGATIONS

**The warranty period is 24 months from the date of sale.**

During the warranty period, the buyer has the right to repair or replace the product if any faults are discovered that have occurred through the fault of the manufacturer and provided that the instructions for installation and operation are followed. Warranty obligations do not apply to temperature controllers that have mechanical damage, as well as if the defect has arisen as a result of improper installation, connection and operation of this device.