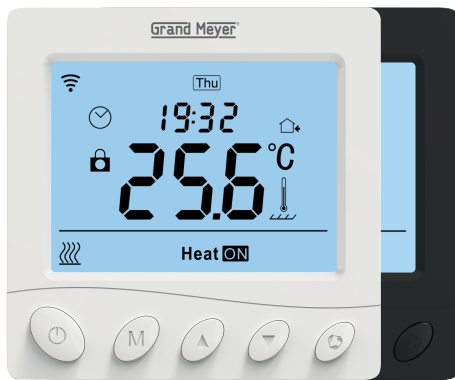


# INSTALLATION MANUAL



## Programmable thermostat Grand Meyer W350/W390 with remote control function via Wi-Fi network for electrical heating.

- Modern design in the shape of a curved sails.
- Large LC-Display with extended indication.
- Possibility of manual control and software installation of up to six modes (events) for each day of the week.

### TECHNICAL DATA

- Supply voltage ..... 230V AC(±10%), 50 Hz
- Output relay SPST ..... 16 A
- Power consumption ..... 1W max (Wi-Fi 3W max)
- Ambient temperature ..... from -5°C to + 50°C
- Temperature setting range ..... 5° - 95°C (default 5° - 50°C)
- Hysteresis (configurable) ..... from 0,5°C to 10°C
- External sensor resistance ..... 10 kOhm at +25°C
- Protection level ..... IP20
- Shell material ..... Anti-Flammable PC



Scan to find the manual in other languages.

### BUTTONS AND SYMBOLS

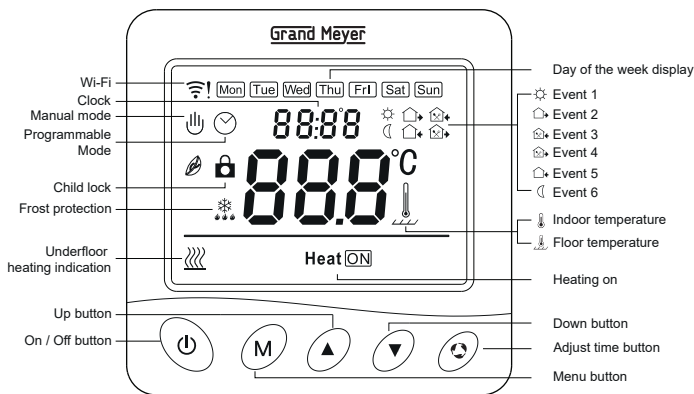


Table 1.

Events	Symbols	Time		Temperature	
		Factory setting	↕	Factory setting	↕
Workdays	1	☀	06:00	Press «▲» or «▼»	20°C (68°F)
	2	🏠	08:00		15°C (59°F)
	3	🏠	11:30		15°C (59°F)
	4	🏠	12:30		15°C (59°F)
	5	🏠	17:00		22°C (72°F)
	6	🌙	22:00		15°C (59°F)
Week-ends	1	☀	06:00	Press «▲» or «▼»	20°C (68°F)
	2	🌙	20:00		20°C (68°F)

### USER OPERATION

#### Manual mode

The thermostat will turn on or off the electric heating to maintain the set temperature, regardless of the currently running program.

#### Programmable Mode

The thermostat will turn on or off the electric heating depending on the set time and temperature according to a program in which up to 6 heating events can be set for each day of the week. This program will be repeated every week.

#### Temporary manual (program) mode

The thermostat works in accordance with the manually set temperature temporarily and switches back to the program mode, at the time of the next event.

### SETTING THE THERMOSTAT

- Press the «M» menu button to select manual or programmable mode. Hold the menu button «M» for 3 seconds. to edit the weekly program.
- Press the «⏻» button to turn on / off the thermostat.
- Hold the «⌚» button for 3 seconds. to edit time and date.
- Press the «▲» or «▼» button to change the set temperature by 0,5°C.
- Hold for 3 seconds. buttons «▲» and «▼» to activate the option «Child lock». The «🔒» icon indicate that the «Child lock» is on.

### SETTING UP PROGRAMMING MODE

Hold the menu button «M» for 3 seconds to set the weekly program (table 1).

### ADVANCED SETTING

(Professional Technician preferred)

In off mode, hold for 3 seconds «M» to enter advanced setting mode, then re-press «M» to switch to next mode. Press «⏻» to save and exit advanced setting mode.

Table 2.

Code	Mode	Set value (press «▲» or «▼»)
0Rdr	Not used on this model	
1RdJ	Temperature calibration	Set required value
2SEn	Active temperature sensor	IN: only internal build-in sensor EXT: only external sensor (set by default) ALL: both sensors
3LrT	External sensor upper temperature limit	From +5°C to +60°C (+35°C by default)
4d,F	Temperature hysteresis	From 0,5°C to 10°C (1°C by default)
5LrP	Frost protection	ON : Turns ON OFF : Turns OFF
6PrC	Weekly programming	12345: 5 working/2 weekend days 123456: 6 working/1 weekend days 1234567: 7 working days
8dLY	Not used on this model	
9HrT	Temperature upper limit	From +5°C to +95°C (+50°C by default)
RFrC	Hard reset	Press and hold for 3 seconds «▲» to reset settings to defaults

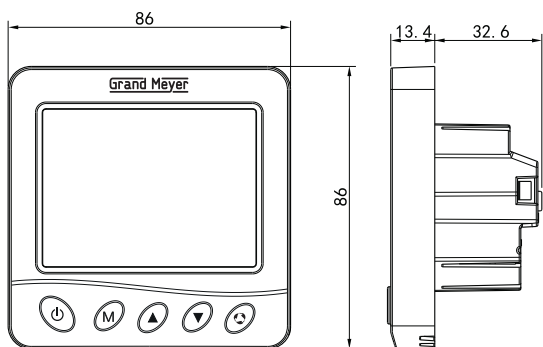
## TEMPERATURE SENSOR ERROR

Please select the correct type of active temperature sensor operation. When the display shows the error E0/E1, the thermostat won't operate until the error is eliminated.

E0: Sensor short circuit / internal build-in sensor disconnected.

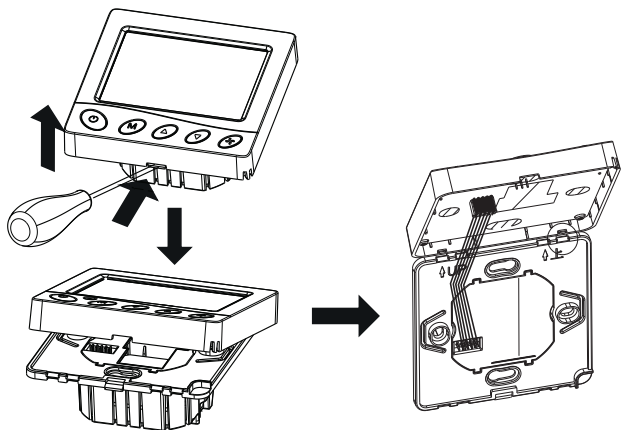
E1: Sensor short circuit / external sensor disconnected.

## DIMENSIONS (mm)

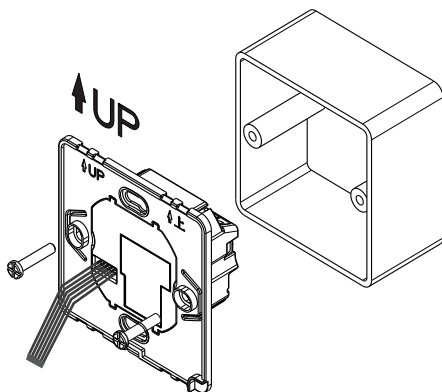


## INSTALLATION

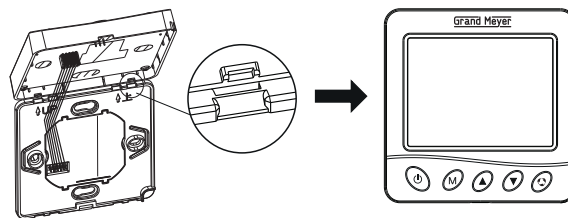
1. Remove the front cover of the thermostat using a screwdriver.



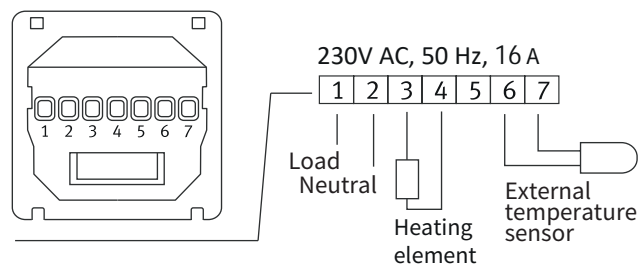
2. Connect the wires to the contact terminals of the thermostat in accordance with the wiring diagram. Recommended stripping length 7-9 mm.
3. Use a screwdriver and screws to secure the back part of the thermostat to the mounting box.




4. Secure the front cover through the snap joint.



## WIRING DIAGRAM



## CONNECTING TO A WI-FI NETWORK

To set up the Wi-Fi mode turn off the thermostat and press and hold for 3 seconds button «».



For remote access to the thermostat via Wi-Fi, download a mobile application adapted for our thermostat.

The app «Smart Life» is available on Google Play for Android and the App Store for iOS.

## SAFETY MEASURES

1. The thermostat must be connected by a qualified, certified electrician.
2. All work on installation and connection of the thermostat must be carried out without the power supply connection.
3. Use only the plastic back box to mount the thermostat.
4. Cleaning the thermostat:
  - The power supply must be disconnected when wipe off dust and dirt with a soft cloth or paper towel.
  - Do not use any cleaning agents or harsh chemical solvents.

## WARRANTY OBLIGATIONS

The warranty period is 24 months from the date of sale.

During the warranty period, the buyer has the right to repair or replace the product if any faults are discovered that have occurred through the fault of the manufacturer and provided that the instructions for installation and operation are followed. Warranty obligations do not apply to thermostats that have mechanical damage, as well as if the defect has arisen as a result of improper installation, connection and operation of this device.

## RECYCLING OF OBSOLETE APPLIANCES



Appliances with this label must not be disposed off with the general waste. They must be collected separately and disposed off according to local regulations.